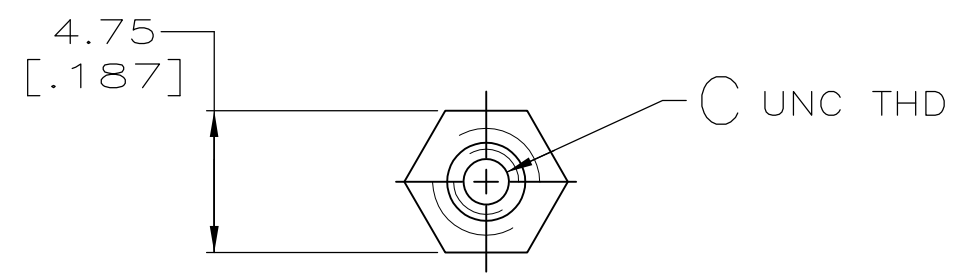
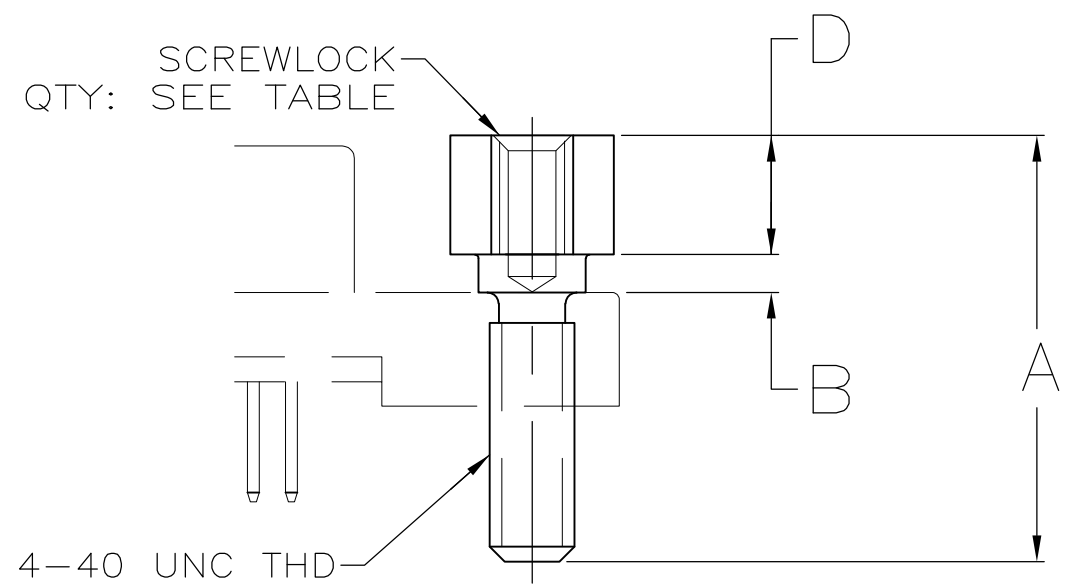


THIS DRAWING IS UNPUBLISHED. RELEASED FOR PUBLICATION
 © COPYRIGHT - By - ALL RIGHTS RESERVED.


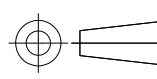
LOC	DIST	REVISIONS			
P	LTR	DESCRIPTION	DATE	DWN	APVD
GP	00	M3	REVISED PER ECO-11-004835	11MAR11	RK HMR



1 OBSOLETE PARTS: OBSOLETE CIS STREAMLINING PER D.RENAUD/D.SINISI



1	DESCRIPTION	QTY	DIAMETER	THREAD	LENGTH	HEIGHT	PART NUMBER
1	OBSOLETE	1000	4.19 [.165]	2-56	1.07 [.042]	14.27 [.562]	749087-8
	OBSOLETE	1000	3.99 [.157]	2-56	1.27 [.050]	14.27 [.562]	749087-7
	OBSOLETE	2	3.71±0.05 [.146±.002]	2-56	1.27 [.050]	13.92 [.548]	749087-6
	OBSOLETE	1000	3.99 [.157]	4-40	1.27 [.050]	18.29 [.720]	749087-5
		2	4.19 [.165]	2-56	1.07 [.042]	14.27 [.562]	749087-4
		1000	3.99 [.157]	2-56	1.27 [.050]	9.65 [.380]	749087-3
		2	3.99 [.157]	2-56	1.27 [.050]	9.65 [.380]	749087-2
		2	3.99 [.157]	2-56	1.27 [.050]	14.27 [.562]	749087-1
	SCREWLOCKS PER BAG		D	C	B	A	PART NUMBER

THIS DRAWING IS A CONTROLLED DOCUMENT.		DWN D.GELTZ 11/24/93	 TE Connectivity				
DIMENSIONS: INCHES		CHK R.STONE 02/25/94					
		APVD -	NAME SCREWLOCK KIT, FEMALE, AMPLIMITE, .050 SERIES				
TOLERANCES UNLESS OTHERWISE SPECIFIED:		PRODUCT SPEC -	APPLICATION SPEC -				
MATERIAL STAINLESS STEEL		FINISH -	WEIGHT -	SIZE A3	CAGE CODE 00779	DRAWING NO C-749087	RESTRICTED TO -
CUSTOMER DRAWING			SCALE 4:1	SHEET 1 OF 1	REV M3		